

4.0 ST16单后桥/ST16 Rear Axle

序号/ No.	名 称 / Designation		页 码 /Page No.
4,01	ST16单后桥/ST16 Single Axle	-----	1
4,02	后桥驱动装置/Drive Of Rear Axle	-----	2
4,03	ST16单后桥壳/Single Rear Axle Housing	-----	6
4,04	ST16后桥轮毂与制动器总成/Rear Axle Hub And Brake System	-----	9

4.01 ST16单后桥(I=5.73, XS Φ180, 1850) /ST16 Single Axle



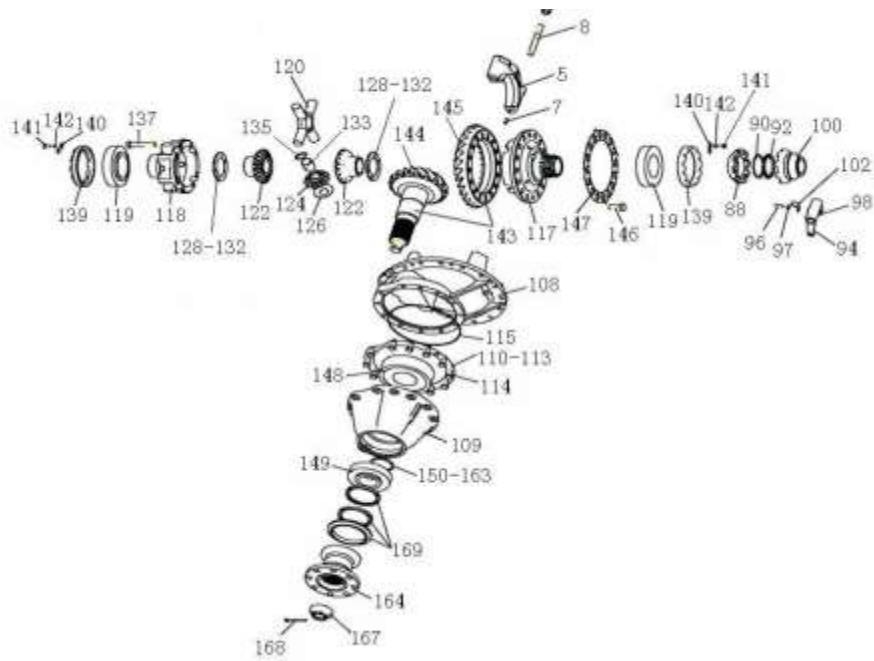
4.01 ST16单后桥(I=5.73, XS Φ180, 1850) /ST16 Single Axle

序号 No.	零部件图号 Part No.	名称	Part Name	数量 Qty	备注 Remark
0	AH71131502050	ST16单后桥 (I=5.73, XS Φ180, 1850)	ST16 Single Axle	1	

主要配置/Main Configurations

1		型号:ST16	Model:ST16		
2		冲压桥壳	Pressing axle housing		
3		主减速比5.73	Reduction ratio 5.73		
4		输入法兰 Φ180mm	Input flange Φ180mm		
5		轮距1850mm	Wheel track 1850mm		

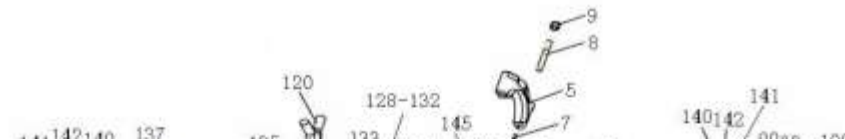
4.02 后桥驱动装置(i=5.73, 端面齿 Φ180) /Drive Of Rear Axle

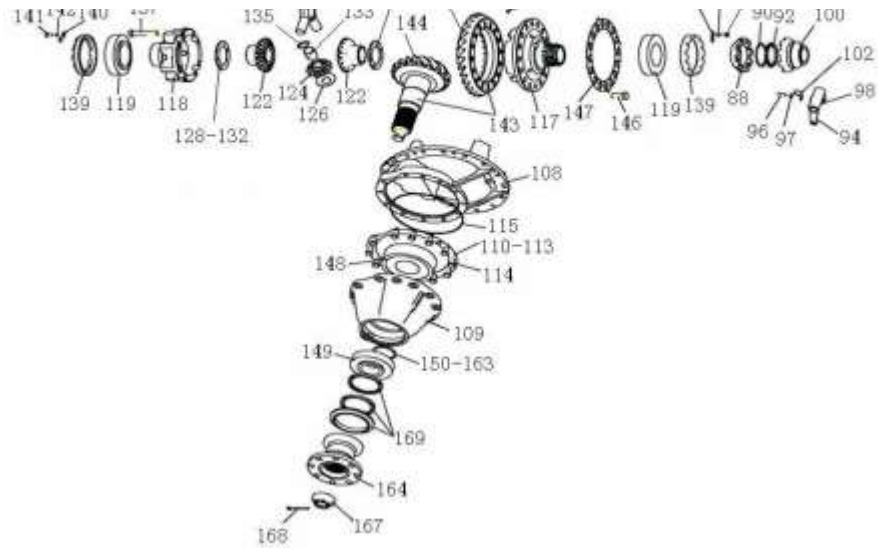


4.02 后桥驱动装置(i=5.73, 端面齿Φ180) /Drive Of Rear Axle

序号 No.	零部件图号 Part No.	名称	Part Name	数量 Qty	备注 Remark
3	199012320097	主减速器(后桥)	Main retarder	1	
5	WG9012320002	差速器轴承盖	Bearing cover	2	
7	Q5210820	园柱销	Cylinder pin	4	
8	Q12316120	双头螺柱	Screw	4	
9	190003888459	自锁螺母	Nut	4	
88	WG3809320155	固定啮合套	Shifting dog	1	
90	WG3809320158	锁止垫片	Locking shim	1	
92	WG3809320157	园螺母	Nut	1	
94	WG9012320014	拨叉	Fork	1	
96	Q2800825	开槽锥端紧定螺钉	Screw	1	
97	ZQ340B08	1型六角螺母	Nut	1	
98	WG1800 320077	拨叉活动块	Block	2	
100	WG3809320156	滑动啮合套	Sliding shifting sleeve	1	
102	WG9012320023	弯板	Angle plate	1	
104	WG2297Y4835	铭牌	Nameplate	1	
106	190003904529	标牌铆钉--铆钉GB827-86	Rivet	2	
108	199012320098	主减速器壳	Reductor housing	1	
109	WG9012320103	轴承座	Bearing seat	1	
110	WG9012320173	调整垫片(厚0.1)	Adjusting shim	1	
111	WG9012320174	调整垫片(厚0.15)	Adjusting shim	1	

4.02 后桥驱动装置(i=5.73, 端面齿Φ180) /Drive Of Rear Axle

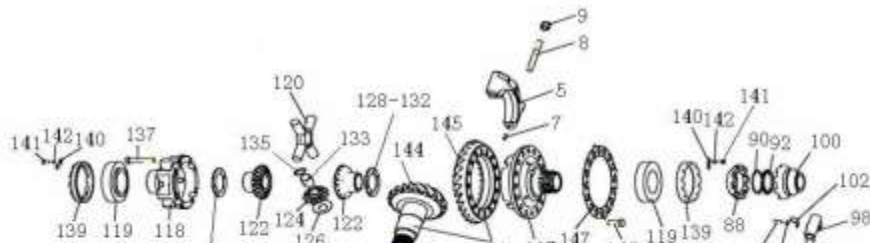


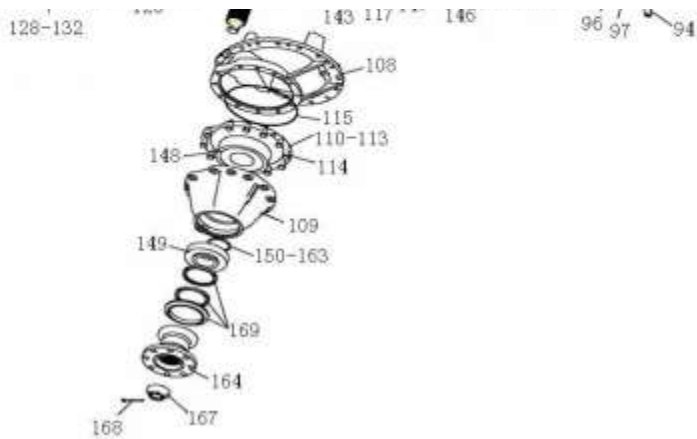


4.02 后桥驱动装置(i=5.73, 端面齿Φ180) /Drive Of Rear Axle

序号	零部件图号	名称	Part Name	数量	备注
No.	Part No.			Qty	Remark
112	WG9012320175	调整垫片(厚0.4)	Adjusting shim	1	
113	WG9012320176	调整垫片(厚1)	Adjusting shim	1	
114	Q150B1230TF2	六角头螺栓	Screw	12	
115	WG9012320133	密封圈	Washer	1	
116	WG9231320273	差速器壳	Diff. housing	1	
117	WG9231320165	差速器壳(左)	Diff. housing	1	
118	WG9231320164	差速器壳(右)	Diff. housing	1	
119	190003326148	圆锥滚子轴承32216GB/T	Bearing	2	
120	AZ9231320150	十字轴	Spider	1	
122	WG9231320151	半轴齿轮	Gear	2	
124	WG9231320152	行星齿轮	Planetary Gear	4	
126	WG9231320153	行星齿轮垫片	Gasket	4	
128	WG9231320154	调整垫片	Adjusting shim	1	
129	WG9231320155	调整垫片	Adjusting shim	1	
130	WG9231320156	调整垫片	Adjusting shim	1	
131	WG9231320157	调整垫片	Adjusting shim	1	
132	WG9231320158	调整垫片	Adjusting shim	1	
133	WG9231320159	衬套	Sleeve	4	
135	WG9231320160	衬套挡圈	Snap ring	4	
137	WG9231320169	六角头螺栓	Screw	8	

4.02 后桥驱动装置(i=5.73, 端面齿Φ180) /Drive Of Rear Axle

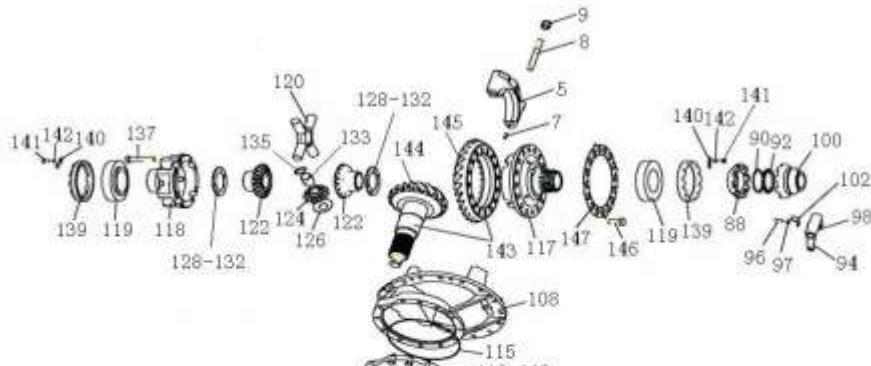


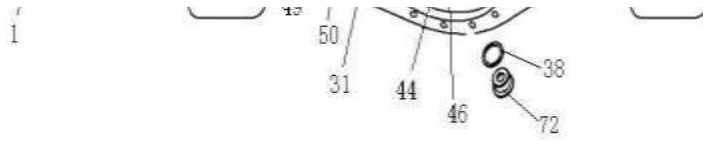


4.02 后桥驱动装置(i=5.73, 端面齿Φ180) /Drive Of Rear Axle

序号 No.	零部件图号 Part No.	名称	Part Name	数量 Qty	备注 Remark
139	WG3809320159	差速器轴承调整螺母	Nut	2	
140	WG79000320027	止动片	Retainer sheet	2	
141	ZQ150B0816	六角头螺栓	Screw	2	
142	Q40308	弹簧垫圈	Spring washer	2	
143	WG9231320913	锥齿轮付28/17	Pinion and crown wheel	1	
146	ZQ151B1635TF2	六角头螺栓	Screw	16	
147	WG9114320003	锁片-从动锥齿轮螺栓	Screw	1	
148	190003326547	圆锥滚子轴承32315GB/T	Roller bearing	1	
149	190003326236	圆锥滚子轴承30312GB/T	Bearing	1	
150	WG880 320002	调整垫片	Adjusting shim	1	
151	WG880 320003	调整垫片	Adjusting shim	1	
152	WG880 320004	调整垫片	Adjusting shim	1	
153	WG880 320005	调整垫片	Adjusting shim	1	
154	WG880 320006	调整垫片	Adjusting shim	1	
155	WG880 320007	调整垫片	Adjusting shim	1	
156	WG880 320008	调整垫片	Adjusting shim	1	
157	WG880 320009	调整垫片	Adjusting shim	1	
158	WG880 320010	调整垫片	Adjusting shim	1	
159	WG880 320011	调整垫片	Adjusting shim	1	
160	WG880 320012	调整垫片	Adjusting shim	1	

4.02 后桥驱动装置(i=5.73, 端面齿Φ180) /Drive Of Rear Axle

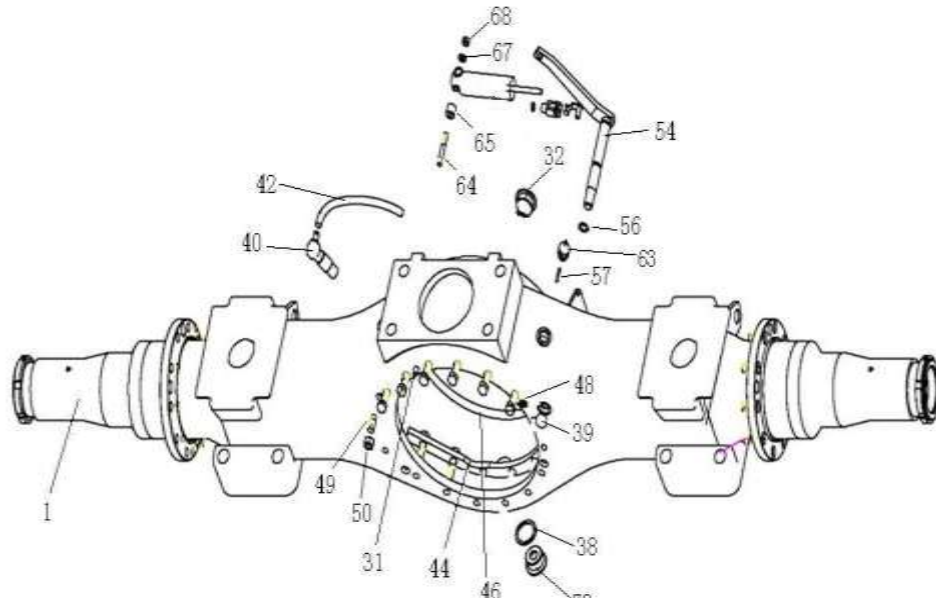




4.03 ST16单后桥壳(板簧座中心距1010)/Single Rear Axle Housing

序号 No.	零部件图号 Part No.	名称	Part Name	数量 Qty	备注 Remark
1	AZ9231330562	ST16单后桥壳总成(轮距1850, 170X145)	Rear axle housing ass.	1	
2	AZ9231330564	ST16桥壳中段总成	The middle part of axle housing assembly	1	
3	AZ9231330563	ST16桥壳中段(170x145)	The middle part of axle housing	2	
4	WG9231330561	轴头	Shaft	2	
5	WG9231330572	固定盘	Flange plate	2	
9	WG26012330150	连接板	Plate	1	
11	WG9231330521	U形架	Bracket	2	
13	WG9231330520	固定支座	Bracket	2	
17	1680 330026	凸台	Base	1	
18	159000330019	凸台	Base	1	
19	WG9012330015	管	Tube	2	
21	WG9231330501	导向板	Guide plate	2	
23	WG9900410038	防护片	Shim	1	
25	199012330044	凸台	Base	1	
26	WG9012330005	板	Plate	1	
27	WG9231340014	锁紧螺母(右)	Nut		
28	WG9231340015	锁紧螺母(左)	Nut	1	
29	WG9231340017	锁紧螺母(右)	Nut		
30	WG9231340018	锁紧螺母(左)	Nut	1	
31	Q5211016	园柱销	Pin	1	

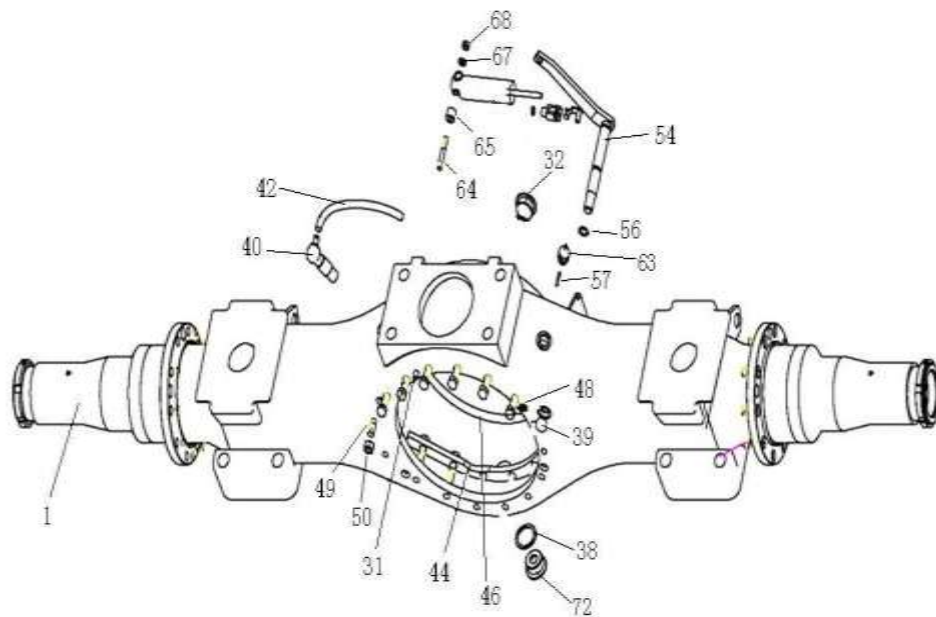
4.03 ST16单后桥壳(板簧座中心距1010)/Single Rear Axle Housing



4.03 ST16单后桥壳(板簧座中心距1010)/Single Rear Axle Housing

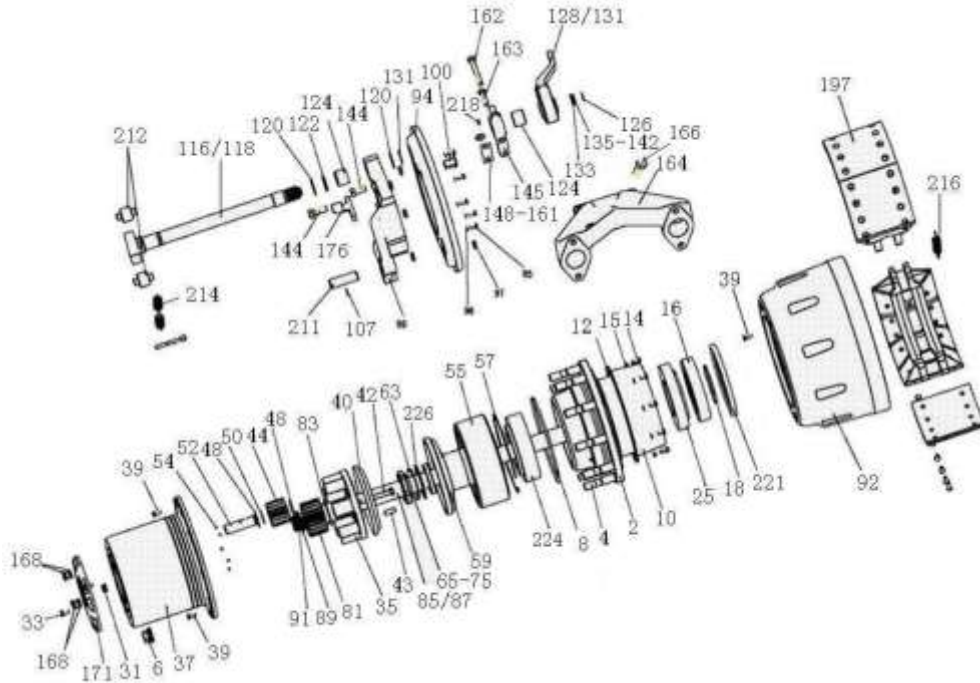
序号 No.	零部件图号 Part No.	名称	Part Name	数量 Qty	备注 Remark
32	WG81500010163	螺塞	Plug	1	
38	Q72336	密封垫圈—Q72336铝L1M, GB3190	Gasket	1	
39	190003989290	碗形堵塞	Plug	1	
40	WG9231330105	通气塞	Breather	1	
42	WG9231330106	橡胶软管	Hose	1	
44	WG9014330146	弓形固定卡总成(下)	Clip assembly	1	
46	WG9014330147	弓形固定卡总成(上)	Clip assembly	1	
48	Q2540820	十字槽沉头螺钉	Screw	4	
49	190003810631	双头螺柱	Stud	4	
50	190003888457	自锁螺母	Nut	16	
51	WG2297Y4835	铭牌	Name plate	1	
53	190003904529	标牌铆钉—铆钉GB827-86-2.5*6	Rivet	2	
54	WG9014330125	操纵杆总成	Lever assembly	1	
56	1680M 320015	O型垫圈	O-ring	1	
57	WG69000330008	销	Pin	1	
59	WG69000330009	销	Pin	1	
61	WG9100330010	销 见69000330008	Pin	1	
63	Q43705	轴用钢丝挡圈	Circlip	1	
64	Q1200850F3	双头螺柱	Stud	1	
65	WG61000060084	间隔衬套	Bushing	1	

4.03 ST16单后桥壳(板簧座中心距1010)/Single Rear Axle Housing



No.	Part No.	名称	Part Name	Qty	Remark
1	199112340010	后轮毂总成	Rear wheel hub ass.	2	incl. (2,4)
2	WG9112340009	后轮毂	Rear wheel hub	2	
4	WG7121340130	车轮螺栓	Screw	20	
6	WG9003884160	车轮螺母	Nut	20	
8	WG9012340029	密封圈	Sealing ring	4	
10	WG7121340921	挡油罩	Cover	2	
12	WG9012340020	密封垫片	Sealing washer	2	
14	Q150B0816	六角头螺栓	Screw	20	
15	Q40308	弹簧垫圈	Spring washer	20	
16	WG7121340020	隔圈	Spacer ring	2	
18	WG9012340027	密封圈	Sealing ring	2	
25	WG9231030222	圆锥滚子轴承30222	Tapered roller bearing	2	
31	WG9012340011	端盖顶销	Pin	2	
33	ZQ150B1018	六角头螺栓	Screw	20	
34	WG9112340029	行星架总成	Planet carrier ass.	2	incl. (35,37)
35	WG9112340018	行星架	Planet carrier	1	
37	WG9012340069	轮边减速器壳	Hub reduction gear housing	1	
39	Q2541025	十字槽沉头螺钉	Screw	8	
40	WG880420027	行星架挡油盘	Oil baffle plate	2	
42	Q151C1295TF2	六角头螺栓	Screw	10	

4.04 ST16后桥轮毂与制动器总成(1850)/Rear Axle Hub And Brake System

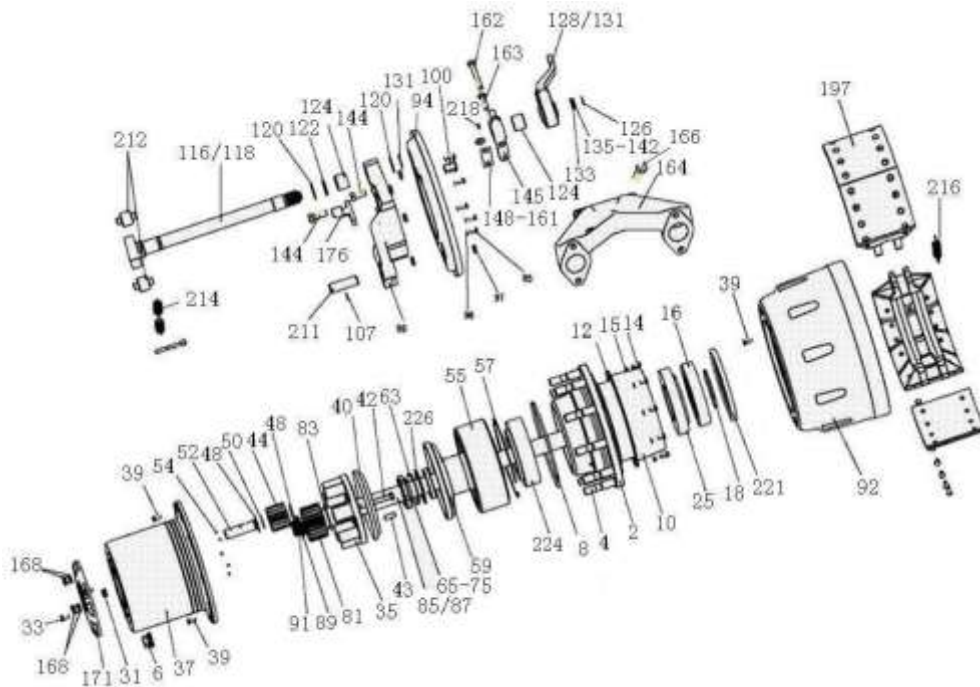


4.04 ST16后桥轮毂与制动器总成(1850)/Rear Axle Hub And Brake System

序号	零部件图号	名称	Part Name	数量	备注
No.	Part No.			Qty	Remark
43	190003901704	圆柱销	Cylinder pin	10	
44	WG9012340122	行星轮(Z=16)	Planet gear	10	

48	WG9012340075	行星轮垫片	Planet gear shim	20	
50	WG9012340077	垫圈	Washer	10	
52	WG9012340004	行星轮轴	Planet gear shaft	10	
54	190003330148	钢球	Steel ball	10	
55	WG9012340121	内齿圈(Z=57)	Inner gear ring	2	
57	WG880420014	轴用挡圈	Circlip for shaft	2	
59	WG9112340021	齿圈支架总成	Gear ring bracket	2	
63	—	—	—	—	
65	—	—	—	—	
67	—	—	—	—	
69	—	—	—	—	
71	—	—	—	—	
73	—	—	—	—	
75	—	—	—	—	
81	WG9012340005	太阳轮(Z=23)	Sun gear	2	
83	WG9012340076	太阳轮垫圈	Sun gear washer	2	
85	WG9231340223	半轴(左)	Half shaft-left	1	
87	WG9231340224	半轴(右)	Half shaft-right	1	

4.04 ST16后桥轮毂与制动器总成(1850)/Rear Axle Hub And Brake System

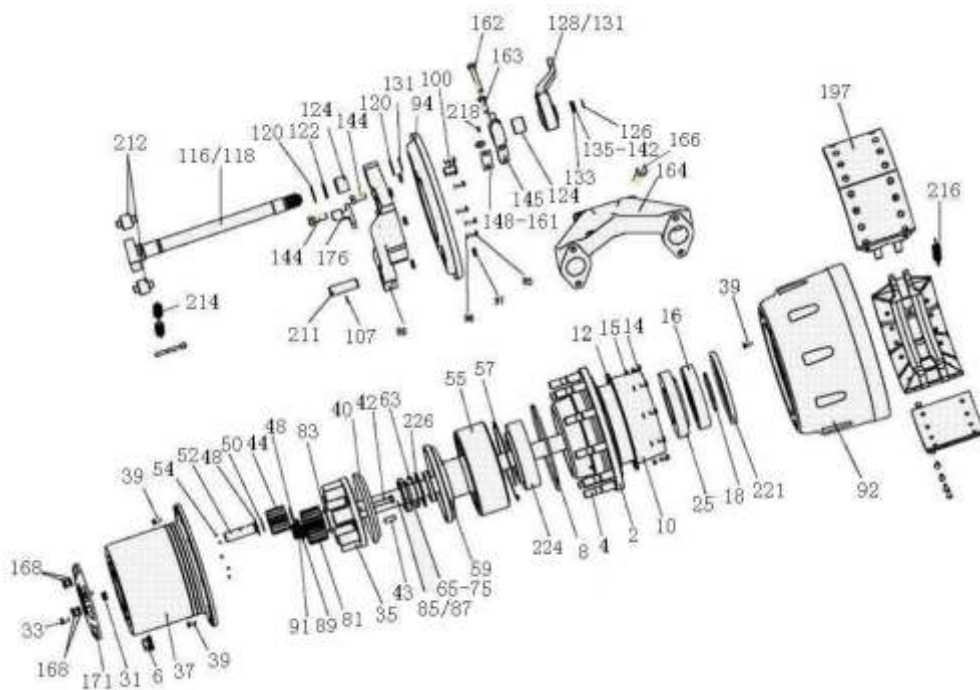


4.04 ST16后桥轮毂与制动器总成(1850)/Rear Axle Hub And Brake System

序号	零部件图号	名称	Part Name	数量	备注
No.	Part No.			Qty	Remark
89	WG880 410097	垫圈	Washer	2	
91	190003933351	轴用弹性挡圈	Snap ring	2	
92	WG9112340006	后制动鼓	Rear brake drum	2	
94	WG880340018	制动器防尘罩	Dustproof cover	2	
95	Q150B0816	六角头螺栓	Screw	12	

96	Q40308	弹簧垫圈	Spring washer	12	
97	WG880340037	密封圈	Sealing ring	8	
99	WG9231340562	制动底板	Brake base plate	2	
100	WG9112340010	ABS传感器输出保护套	Protection sleeve of ABS sensor	2	
107	Q5280624	弹性园柱销	Cylinder pin	4	
116	WG9231340226	制动凸轮轴(左)	Brake camshaft-left	1	
118	WG9231340227	制动凸轮轴(右)	Brake camshaft-right	1	
120	WG880440010	附加垫片	Gasket	4	
122	WG880340023	O形密封圈	O ring	2	
124	WG9100340017	复合衬套	Bush	4	
126	19000393300	轴用弹性挡圈	Snap ring	2	
128	WG9100340056	间隙调节臂总成(左)	Slack adjusting device - left	1	
131	WG9100340057	间隙调节臂总成(右)	Slack adjusting device - right	1	
133	WG880340022	垫圈	Washer	2	
135	WG80 320028	调整垫圈	Adjusting shim	1	

4.04 ST16后桥轮毂与制动器总成(1850)/Rear Axle Hub And Brake System

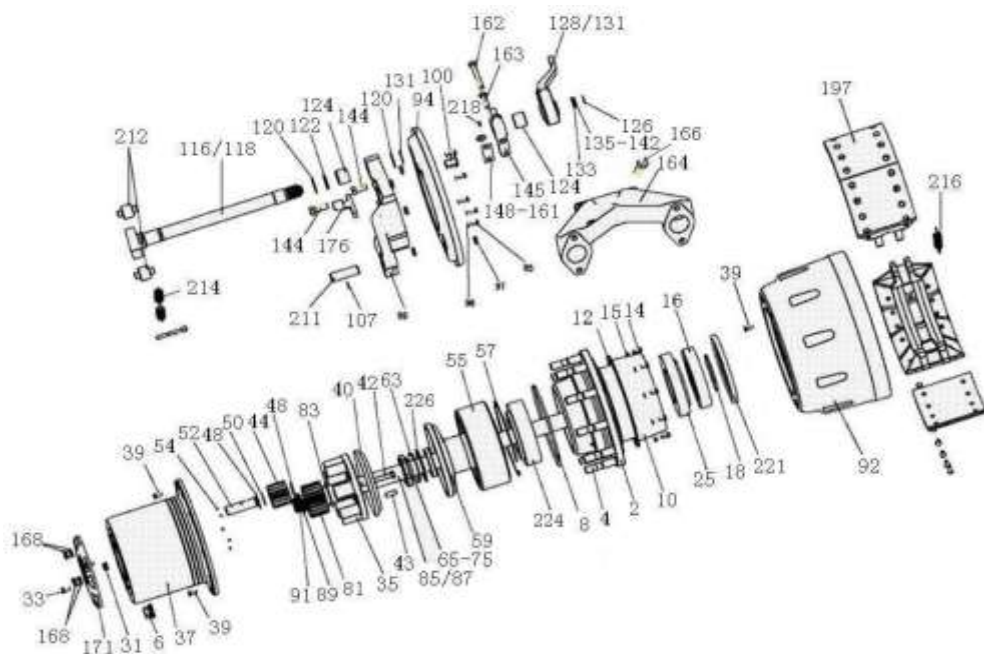


4.04 ST16后桥轮毂与制动器总成(1850)/Rear Axle Hub And Brake System

序号	零部件图号	名称	Part Name	数量	备注
No.	Part No.			Qty	Remark
137	WG80 320029	调整垫圈	Adjusting shim	1	
139	WG80 320030	调整垫圈	Adjusting shim	1	
141	WG80 320046	调整垫圈	Adjusting shim	1	
143	190003933116	轴用弹簧挡圈	Snap ring	2	
144	ZQ151B1635TF2	六角头螺栓M16*1.5*35	Screw	20	
145	199014340041	凸轮轴支架	Bracket of camshaft	2	
148	WG880340031	调整垫片(厚0.1)	Adjust shim	1	
150	WG880340032	调整垫片(厚0.15)	Adjust shim	1	

152	WG880340033	调整垫片(厚0.4)	Adjust shim	1	
154	WG880340034	调整垫片(厚1.0)	Adjust shim	1	
156	WG3809470031	调整垫片	Adjust shim	1	
158	WG3809470032	调整垫片	Adjust shim	1	
160	WG3809470033	调整垫片	Adjust shim	1	
162	ZQ151B1490	六角头螺栓M14*1.5	Screw	2	
163	ZQ151B1445	六角头螺栓M14*1.5	Screw	2	
164	WG9012340066	气室支架	Air chamber bracket	1	
166	ZQ151B2040TF2	六角头螺栓M20*1.5	Screw	4	
168	WG9231340002	圆柱头内六角螺塞总成	Plug ass.	4	
171	WG9231340001	端盖	Cover	2	
176	AZ9231340556	ABS传感器支架	ABS sensor bracket	2	

4.04 ST16后桥轮毂与制动器总成(1850)/Rear Axle Hub And Brake System



4.04 ST16后桥轮毂与制动器总成(1850)/Rear Axle Hub And Brake System

序号 No.	零部件图号 Part No.	名称	Part Name	数量 Qty	备注 Remark
197	AZ9231340200	制动蹄带衬片总成	Brake shoe assembly	4	incl.(198,208,210)
198	AZ9231340203	制动蹄总成	Brake shoe	1	incl.(203,206)
203	WG9231340209	支承销	Pin	2	
206	WG9231340216	回位弹簧销	Spring pin	1	
208	WG9200340069	提升型制动摩擦片	Brake lining	2	
210	WG9231340068	铆钉	Rivet	16	
211	199000340064	支销	Pin	4	
212	WG9000340027	滚轮	Roller	4	
214	WG9231342015	回位弹簧	Return spring	2	
216	WG9112340049	回位弹簧	Return spring	4	
218	AZ9003963030	滑脂嘴总成	Grease nozzle ass.	2	incl.(219, 220)
219	190003963112	米制锥螺纹滑脂嘴	Grease nozzle	1	

220	AZ9003963010	滑脂嘴帽	Grease nozzle cap	1	
221	—	—	—	—	
223	Q5003220	开口销	Split pin	1	
224	WG9981032222	圆锥滚子轴承	Tapered roller bearing	2	
226	—	—	—	—	
228	WG9231340201	面板	Plate	1	
230	WG9231340202	腹板	Plate	2	
234	WG9231340208	加强板	Plate	2	